

Product data sheet

Characteristics

HMIDT642FC

Flat screen, Harmony GTU, 12.1 Touch Smart Display XGA, coated display

Product availability: Non-Stock - Not normally stocked in distribution facility

Price*: 3516.00 USD



Main

Range of product	Harmony GTU
Product or component type	Flat screen
Terminal type	Touchscreen display
Integrated connection type	USB 2.0 type A

Complementary

Pixel resolution	1024 x 600
Touchscreen resolution	1024 x 1024
Provided equipment	1 flash card
Function available	Brightness sensor
[Us] rated supply voltage	12...24 V DC power supply
Supply voltage limits	10.8...28.8 V
Power consumption in W	21 W
Display size	12.1 inch
Display type	Colour TFT LCD
Display resolution	1024 x 768 pixels XGA
Display colour	16 million colours
Backlight lifespan	50000 hours
Touch panel	Multi touch analogue resistive
Type of installation	Indoor installation
Type of cooling	Natural convection
Inrush current	30 A
Cut-out dimensions	301.5 (+ 1/- 0) x 227.5 (+ 1/- 0) mm
Width	12.40 In (315 mm)
Height	9.49 In (241 mm)
Depth	2.64 In (67 mm)
Net weight	6.61 Lb(US) (3 kg)

Environment

IP degree of protection	Front panel IP66
NEMA degree of protection	NEMA 4X front panel
Standards	UL 508
Product certifications	CE
Ambient air temperature for operation	32...140 °F (0...60 °C) EN 61131-2
Ambient air temperature for storage	-4...140 °F (-20...60 °C)
Pollution degree	2
Relative humidity	10...90 % non-condensing
Operating altitude	6561.68 ft (2000 m)
Vibration resistance	3.5 mm constant amplitude 5...9 Hz) EN/IEC 61131-2
Shock resistance	147 m/s ² conforming to EN/IEC 61131-2
Electromagnetic compatibility	Electrostatic discharge immunity testlevel 3 EN/IEC 61000-4-2

Ordering and shipping details

Category	22567 - MAGELIS HMI GTU
Discount Schedule	MC2
GTIN	03606480841651
Nbr. of units in pkg.	1
Package weight(Lbs)	8.82 Lb(US) (4 kg)
Returnability	No
Country of origin	CN

Packing Units

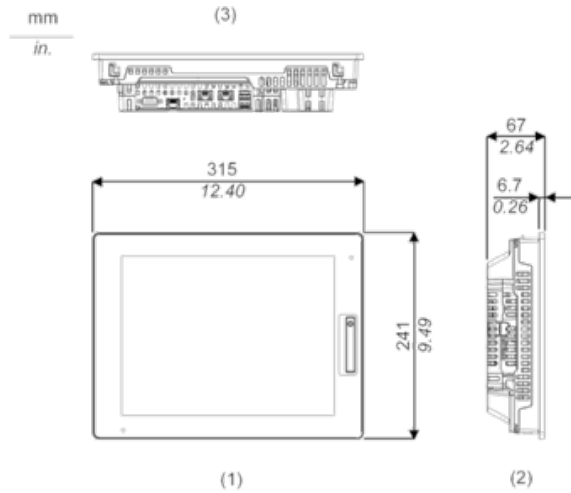
Unit Type of Package 1	PCE
Package 1 Height	7.48 In (19 cm)
Package 1 width	12.99 In (33 cm)
Package 1 Length	16.93 In (43 cm)

Offer Sustainability

California proposition 65	WARNING: This product can expose you to chemicals including: Lead and lead compounds, which is known to the State of California to cause cancer and birth defects or other reproductive harm. For more information go to www.P65Warnings.ca.gov
REACH Regulation	REACH Declaration
REACH free of SVHC	Yes
EU RoHS Directive	Pro-active compliance (Product out of EU RoHS legal scope) EU RoHS Declaration
Mercury free	Yes
RoHS exemption information	Yes
China RoHS Regulation	China RoHS Declaration

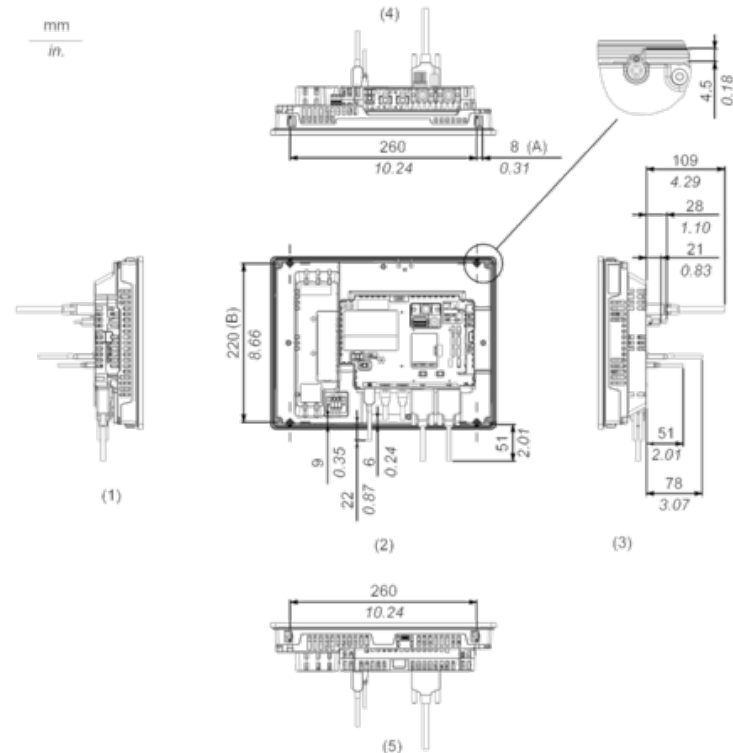
External Dimensions

Display Unit with Box Module



- 1 Front
- 2 Left
- 3 Bottom

Installation with Installation Fasteners and Dimensions with Cables

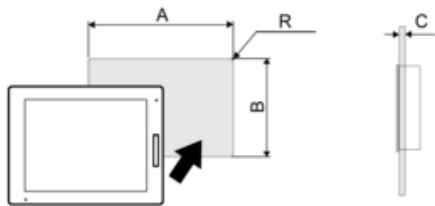


- (A) Rotation area of the fastener
- (B) Pitch of the center of installation fastner screws

- 1 Right
- 2 Front
- 3 Left
- 4 Bottom
- 5 Top

Mounting

Panel Cut Dimensions



Dimensions in mm

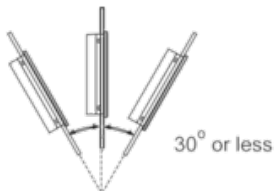
A	B	C	R
301.5 (+1/-0)	227.5 (+1/-0)	1.6...5	3 max.

Dimensions in in.

A	B	C	R
11.87 (+0.04/-0)	8.96 (+0.04/-0)	0.06...0.2	0.12 max.

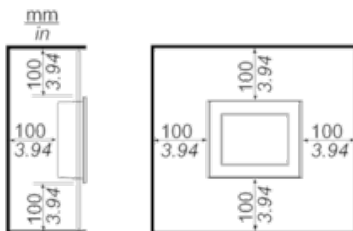
Installation Requirements

Mounting Angle



When installing this product in a slanted position with an incline more than 30°, the ambient temperature must not exceed 40 °C (104 °F). You may need to use forced air cooling (fan, A/C) to ensure the ambient operating temperature is 40 °C or less (104 °F or less).

Clearance



Product Life Status : **Commercialised**